





# African Cadet Cup Casablanca 2019

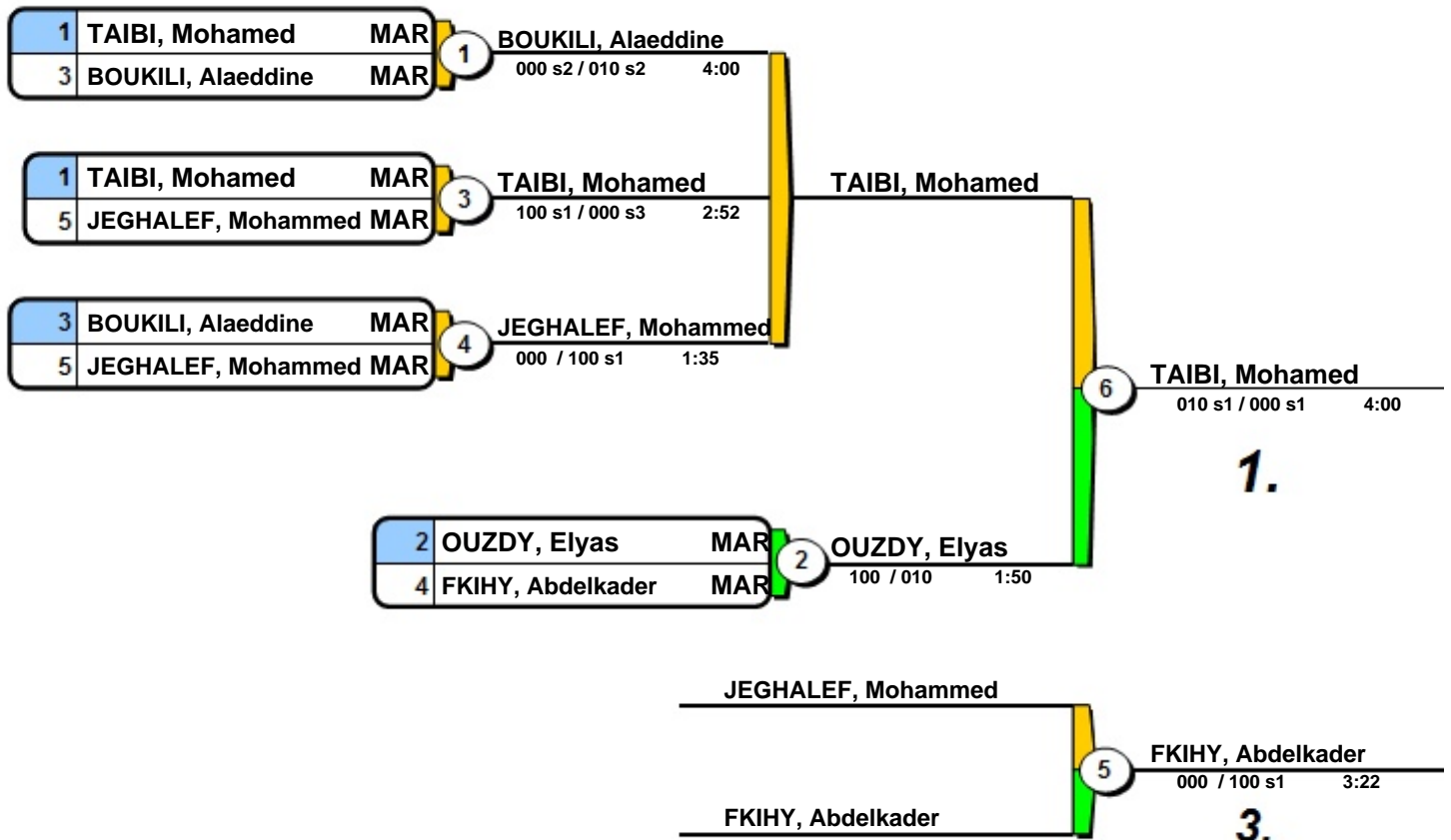
(MAR Casablanca, 14 September 2019)

## -55 kg

5 Judoka

			1	3	5	Wins	Scores
1	TAIBI, Mohamed	MAR		-	$\frac{+}{10}$	1	(10)
3	BOUKILI, Alaeddine	MAR	$\frac{+}{7}$		-	1	(7)
5	JEGHALEF, Mohammed	MAR	-	$\frac{+}{10}$		1	(10)

			2	4	Wins	Scores
2	OUZDY, Elyas	MAR		$\frac{+}{10}$	1	(10)
4	FKIHY, Abdelkader	MAR	-		0	(0)



- 1. TAIBI, Mohamed MAR
- 2. OUZDY, Elyas MAR
- 3. FKIHY, Abdelkader MAR

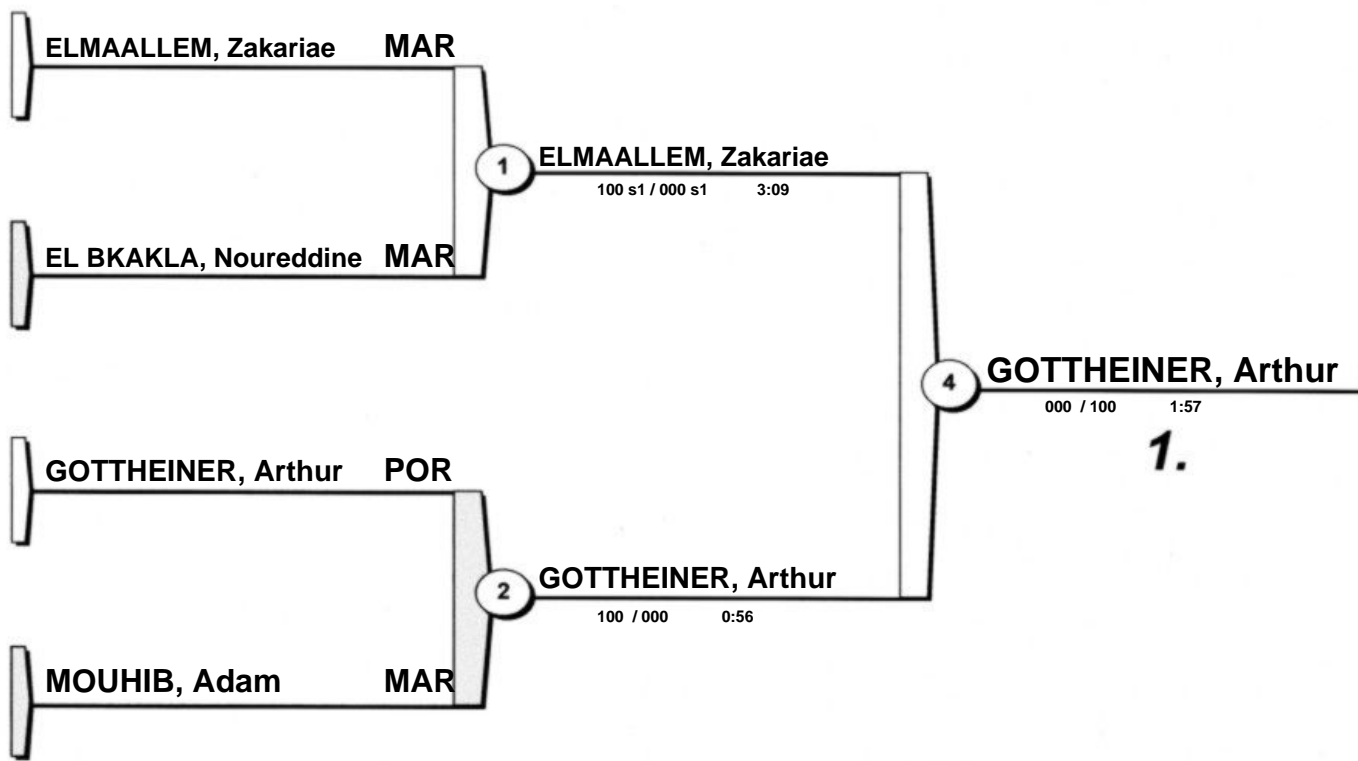


# African Cadet Cup Casablanca 2019

(MAR Casablanca, 14 September 2019)

## -60 kg

4 Judoka



EL BKAKLA, Noureddine

MOUHIB, Adam

000 s3 / 100 s1 2:59

MOUHIB, Adam

1. GOTTHEINER, Arthur POR
2. ELMAALLEM, Zakariae MAR
3. MOUHIB, Adam MAR

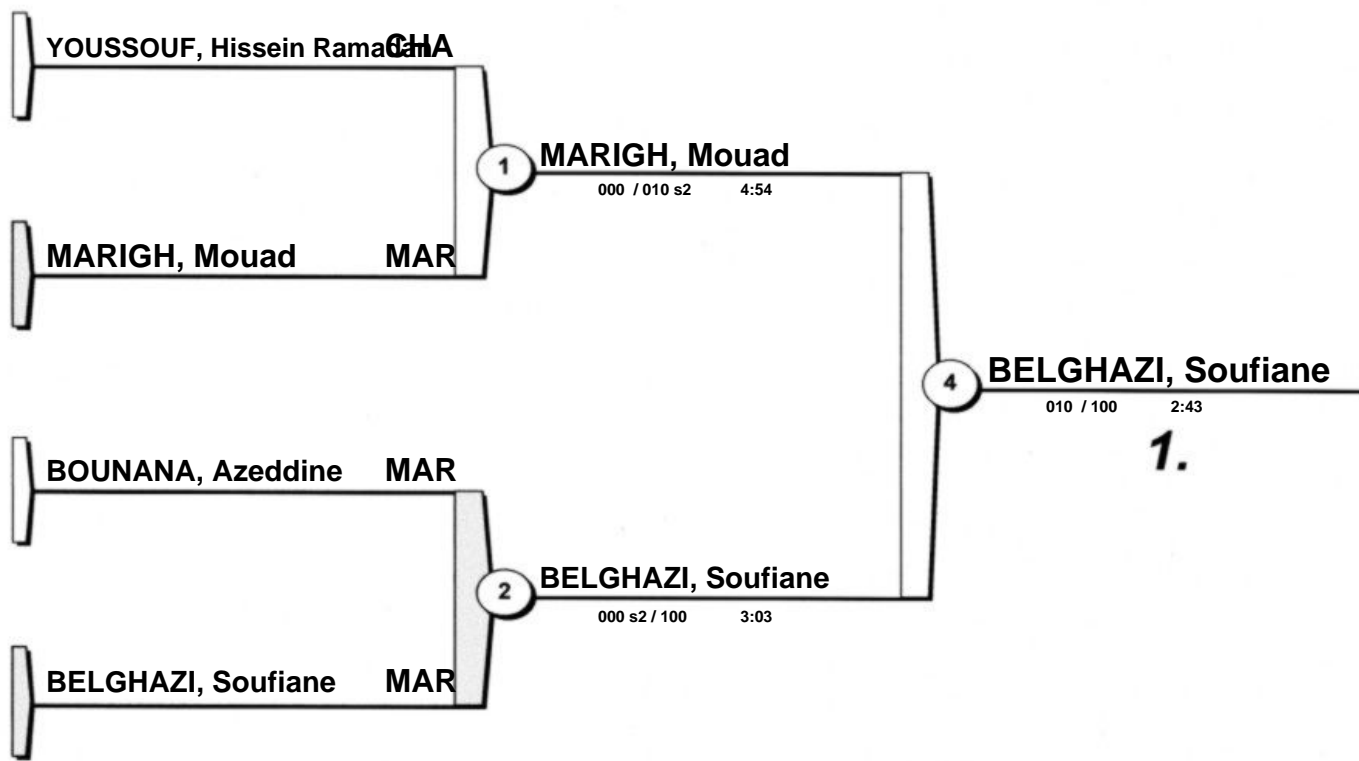


# African Cadet Cup Casablanca 2019

(MAR Casablanca, 14 September 2019)

## -66 kg

4 Judoka



YOUSSOUF, Hissein Ramadan

BOUNANA, Azeddine

000 / 100 1:28

BOUNANA, Azeddine

1. BELGHAZI, Soufiane MAR
2. MARIGH, Mouad MAR
3. BOUNANA, Azeddine MAR

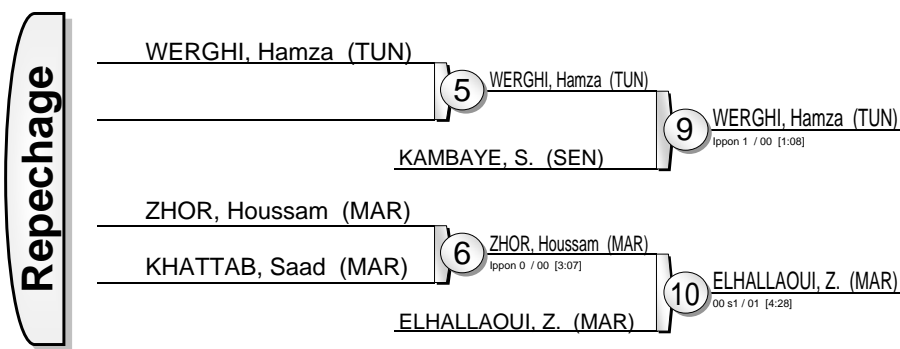
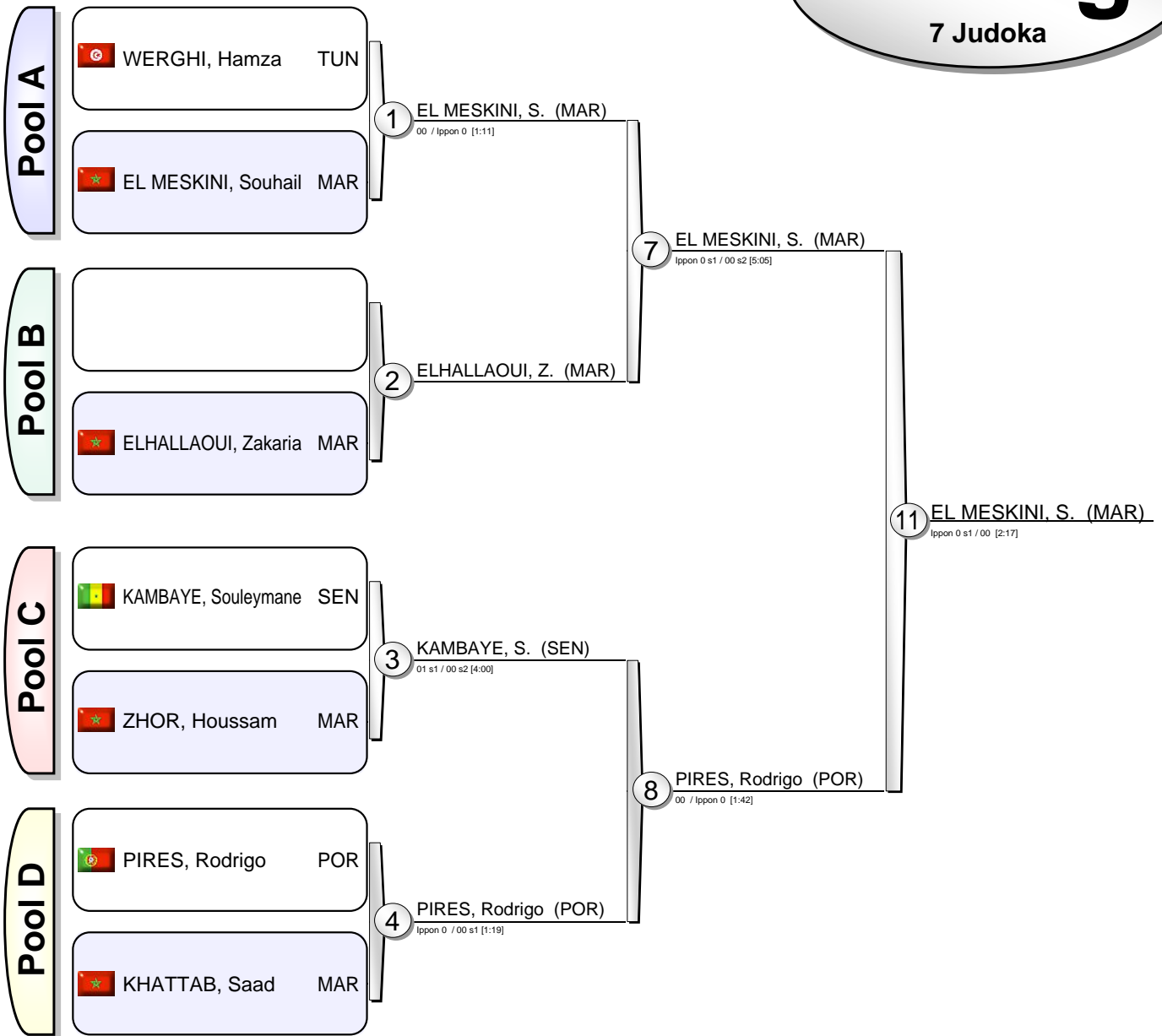


# African Cadet Cup Casablanca 2019

(MAR Casablanca, 14 September 2019)

# -73 kg

7 Judoka



## Results

- EL MESKINI, Souhail MAR
- PIRES, Rodrigo POR
- WERGHI, Hamza TUN
- ELHALLAOUI, Zakaria MAR
- KAMBAYE, Souleymane SEN
- ZHOR, Houssam MAR
- 7.
- KHATTAB, Saad MAR

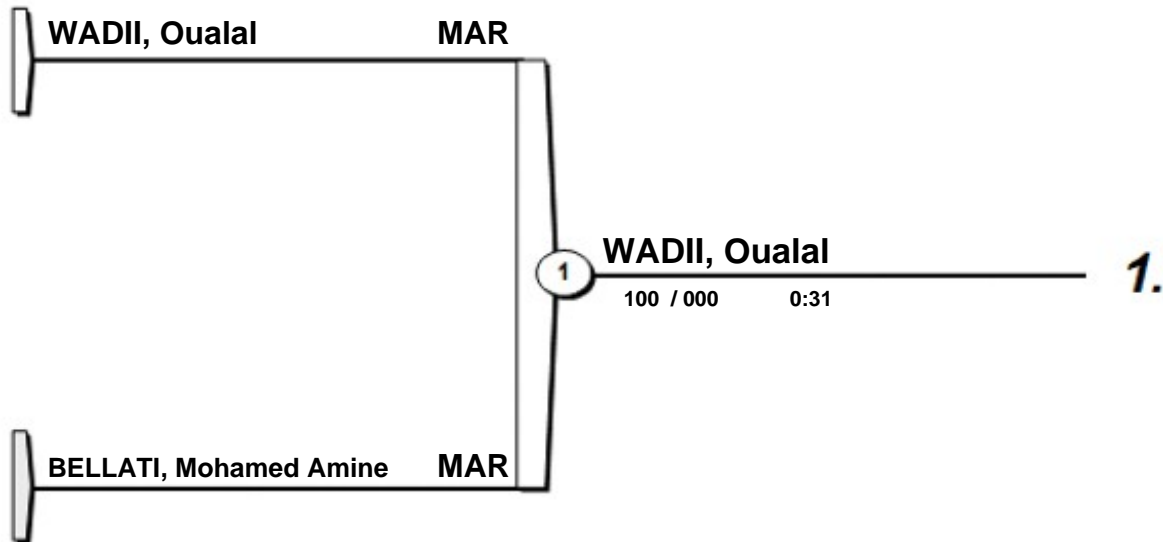


# African Cadet Cup Casablanca 2019

(MAR Casablanca, 14 September 2019)

# -81 kg

2 Judoka



1. WADII, Oualal

MAR



# African Cadet Cup Casablanca 2019

(MAR Casablanca, 14 September 2019)

# -90 kg

3 Judoka

			1	2	3		
1	RAHALI, Ismail	MAR		-	-	0 (0)	
2	ZIANE, Walid	MAR	+		-	1 (7)	
3	BEN GHARES, Koussay	TUN	+	+		2 (20)	

1	RAHALI, Ismail	MAR	1	ZIANE, Walid	MAR
2	ZIANE, Walid	MAR		000 s2 / 010 s2	6:21

1	RAHALI, Ismail	MAR	2	BEN GHARES, Koussay	TUN
3	BEN GHARES, Koussay	TUN		000 / 100	0:11

2	ZIANE, Walid	MAR	3	BEN GHARES, Koussay	TUN
3	BEN GHARES, Koussay	TUN		000 / 110	0:44

- 1. BEN GHARES, Koussay      TUN
- 2. ZIANE, Walid              MAR

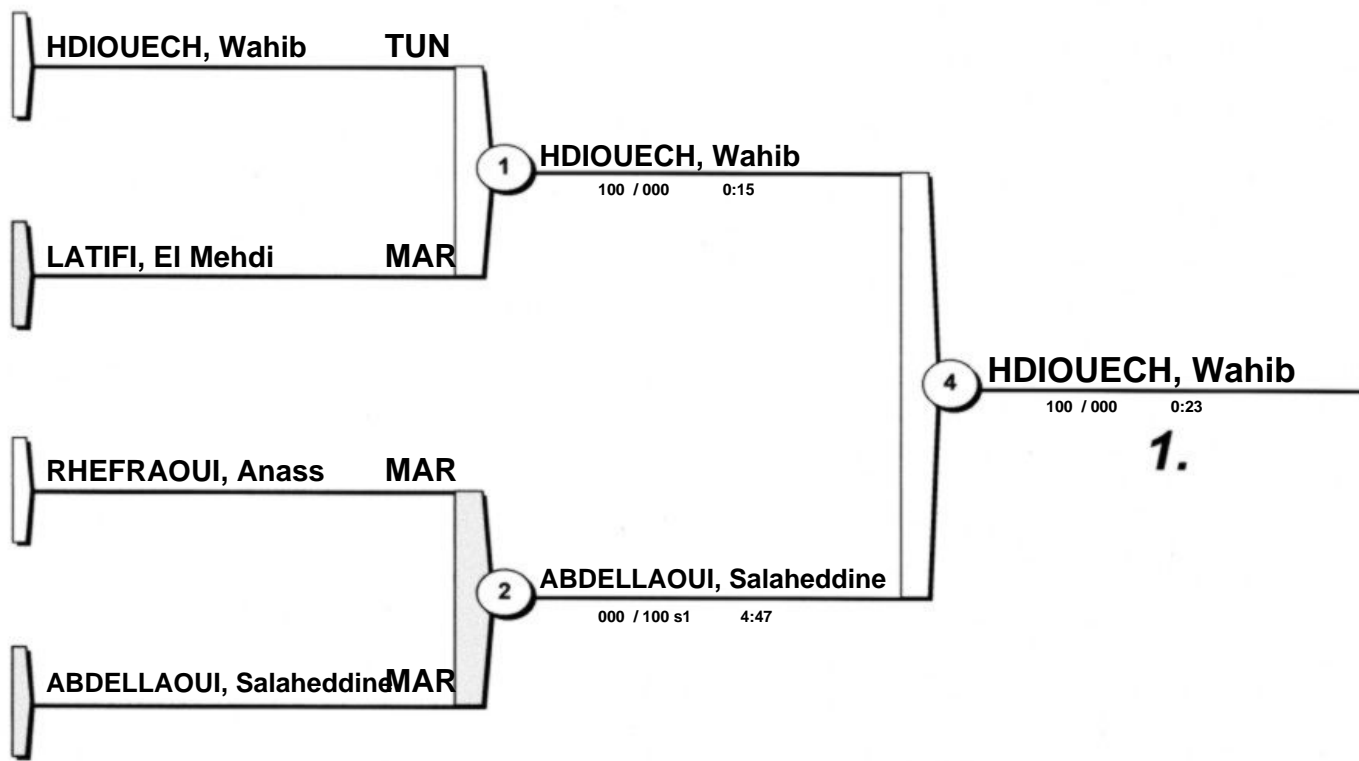


# African Cadet Cup Casablanca 2019

(MAR Casablanca, 14 September 2019)

## +90 kg

4 Judoka



LATIFI, El Mehdi

RHEFRAOUI, Anass

1. HDIOUECH, Wahib TUN
2. ABDELLAOUI, Salaheddine MAR
- 3.









# African Cadet Cup Casablanca 2019

(MAR Casablanca, 14 September 2019)

# -48 kg

3 Judoka

			1	2	3		
1	HARBAOUI, Rania	TUN		+	+	2 (20)	
2	BEN YOUNES, Imen	TUN	-		+	1 (10)	
3	ZIANE, Wissal	MAR	-	-		0 (0)	

1	HARBAOUI, Rania	TUN	1	HARBAOUI, Rania		TUN
2	BEN YOUNES, Imen	TUN		100 s2 / 000 s2	4:31	

1	HARBAOUI, Rania	TUN	2	HARBAOUI, Rania		TUN
3	ZIANE, Wissal	MAR		110 s2 / 000 s3	3:09	

2	BEN YOUNES, Imen	TUN	3	BEN YOUNES, Imen		TUN
3	ZIANE, Wissal	MAR		100 s1 / 000 s3	2:13	

- 1. HARBAOUI, Rania TUN
- 2. BEN YOUNES, Imen TUN



# African Cadet Cup Casablanca 2019

(MAR Casablanca, 14 September 2019)

# -52 kg

3 Judoka

			1	2	3			
1	SAADI DRISSI, Khadija	MAR		-	+	10	1 (10)	
2	SIDAOUI, Chaima	TUN	+		+	10	2 (20)	
3	BARKA SEGUE, Fatime	CHA	-	-			0 (0)	

1	SAADI DRISSI, Khadija	MAR	1	SIDAOUI, Chaima	TUN
2	SIDAOUI, Chaima	TUN		000 s1 / 100 s1	1:35

1	SAADI DRISSI, Khadija	MAR	2	SAADI DRISSI, Khadija	MAR
3	BARKA SEGUE, Fatime	CHA		110 s1 / 010 s3	5:34

2	SIDAOUI, Chaima	TUN	3	SIDAOUI, Chaima	TUN
3	BARKA SEGUE, Fatime	CHA		100 s1 / 010 s2	4:23

1. SIDAOUI, Chaima TUN
2. SAADI DRISSI, Khadija MAR



# African Cadet Cup Casablanca 2019

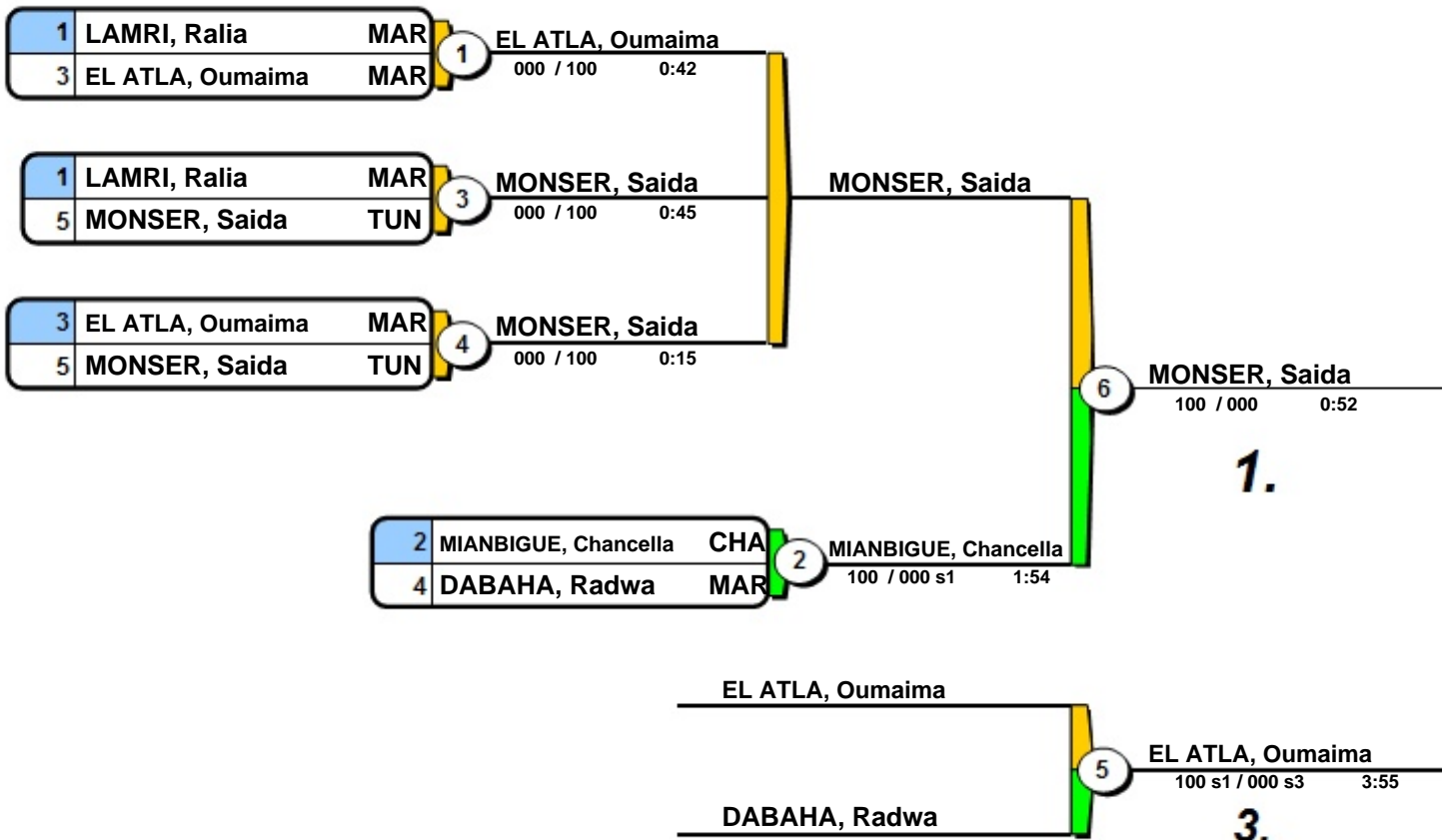
(MAR Casablanca, 14 September 2019)

## -57 kg

5 Judoka

			1	3	5	Wins	Scores
1	LAMRI, Ralia	MAR		-	-	0	(0)
3	EL ATLA, Oumaima	MAR	+		-	1	(10)
5	MONSER, Saida	TUN	+	+		2	(20)

			2	4	Wins	Scores
2	MIANBIGUE, Chancella	CHA		+	1	(10)
4	DABAHA, Radwa	MAR	-		0	(0)



- 1. MONSER, Saida TUN
- 2. MIANBIGUE, Chancella CHA
- 3. EL ATLA, Oumaima MAR



# African Cadet Cup Casablanca 2019

(MAR Casablanca, 14 September 2019)

# -63 kg

3 Judoka

			1	2	3		
1	LHAMOURI, Imane	MAR		-	-	0 (0)	
2	AIT ATTA, Wiam	MAR	+		+	2 (20)	
3	EL HOUMATE, Jihane	MAR	+	-		1 (10)	

1	LHAMOURI, Imane	MAR	1	AIT ATTA, Wiam	MAR
2	AIT ATTA, Wiam	MAR		000 s1 / 100	1:36

1	LHAMOURI, Imane	MAR	2	EL HOUMATE, Jihane	MAR
3	EL HOUMATE, Jihane	MAR		010 s1 / 100 s1	2:39

2	AIT ATTA, Wiam	MAR	3	AIT ATTA, Wiam	MAR
3	EL HOUMATE, Jihane	MAR		100 / 000	2:01

1. AIT ATTA, Wiam            MAR
2. EL HOUMATE, Jihane    MAR



# African Cadet Cup Casablanca 2019

(MAR Casablanca, 14 September 2019)

# -70 kg

3 Judoka

			1	2	3		
1	BENZEROUAL, Amal	MAR		-	-	0 (0)	
2	ESSATOURI, Nassma	MAR	+		+	2 (20)	
3	LAMSYAH, Safae	MAR	+	-		1 (10)	

1	BENZEROUAL, Amal	MAR	1	ESSATOURI, Nassma	MAR
2	ESSATOURI, Nassma	MAR		000 / 100	0:08

1	BENZEROUAL, Amal	MAR	2	LAMSYAH, Safae	MAR
3	LAMSYAH, Safae	MAR		000 / 100	0:23

2	ESSATOURI, Nassma	MAR	3	ESSATOURI, Nassma	MAR
3	LAMSYAH, Safae	MAR		100 / 010 s1	1:36

1. ESSATOURI, Nassma      MAR
2. LAMSYAH, Safae      MAR

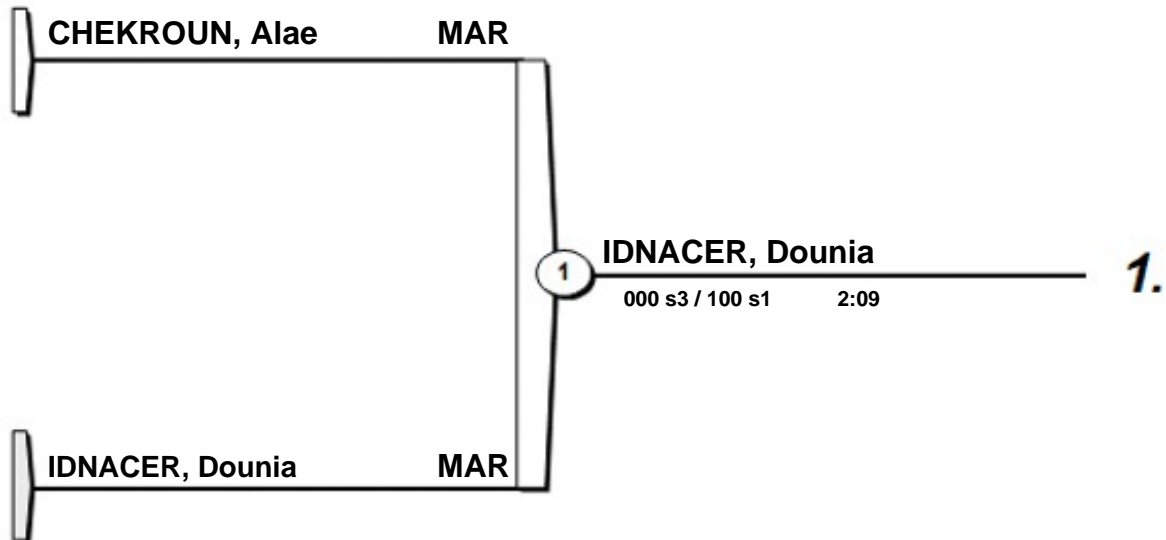


# African Cadet Cup Casablanca 2019

(MAR Casablanca, 14 September 2019)

## +70 kg

2 Judoka



1. IDNACER, Dounia

MAR